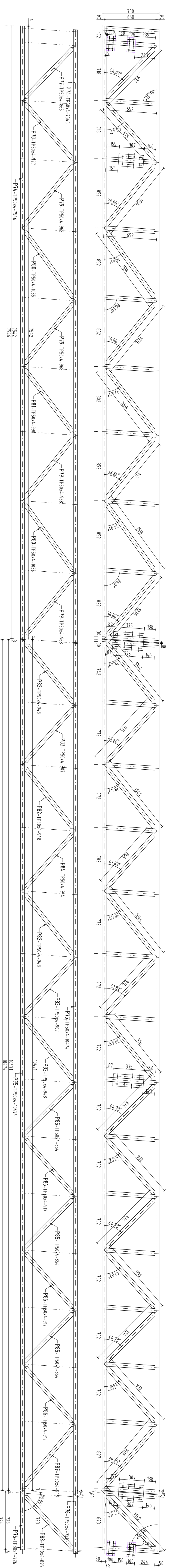
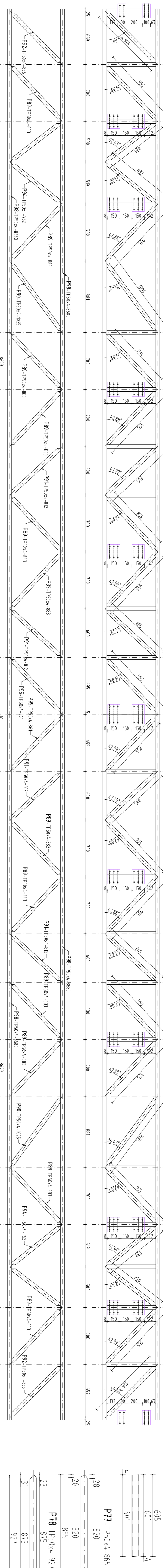


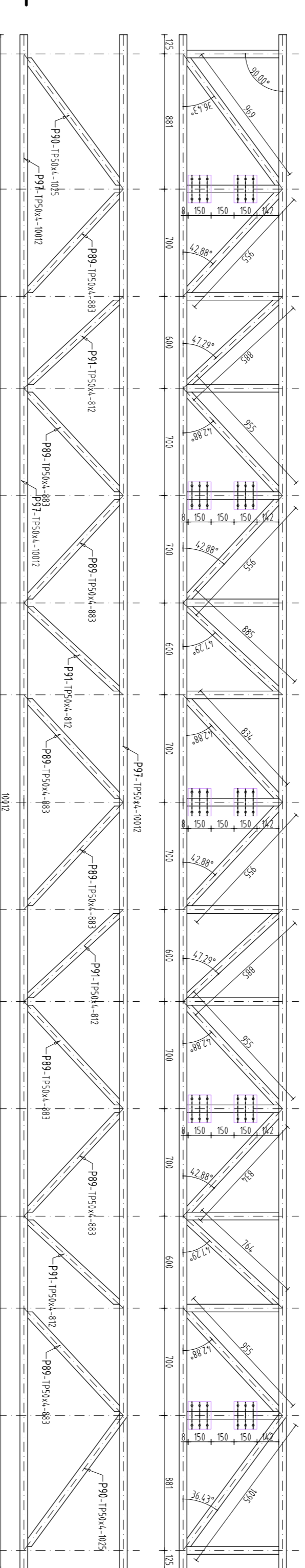
Elevatie Alic ax A, Ax C



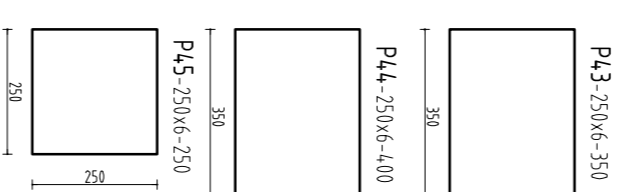
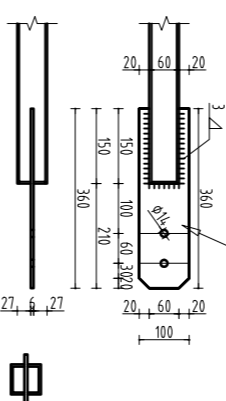
Elevatie Alic ax 1



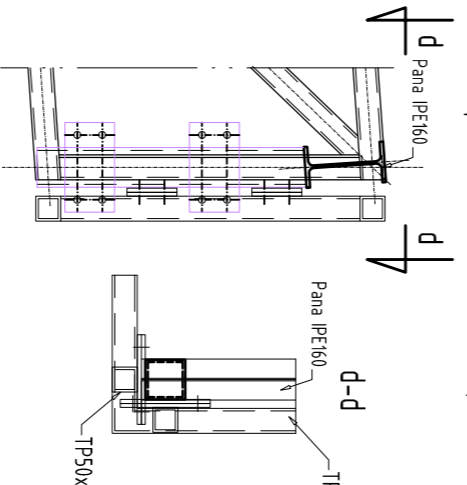
Elevatie Alic ax 4



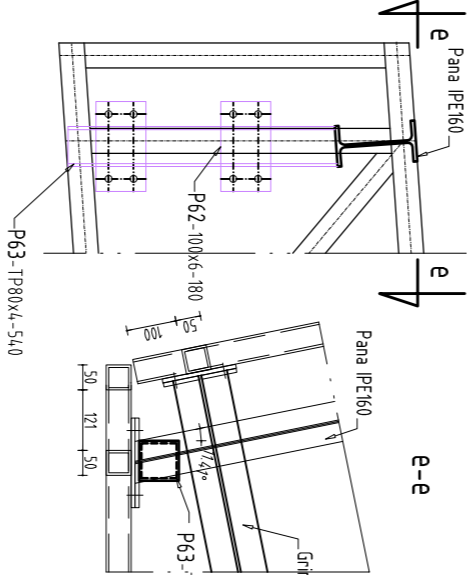
DETALII PRINDERE
CONTRAVANTURI ORIZONTALE
P99-100x6-360



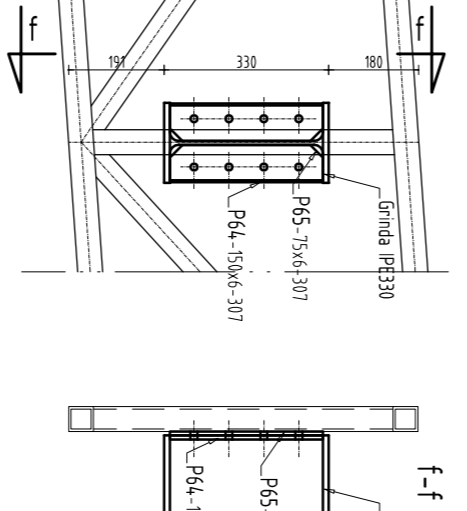
Detaliu prindere colt alic ax 1-A, ax 1-D



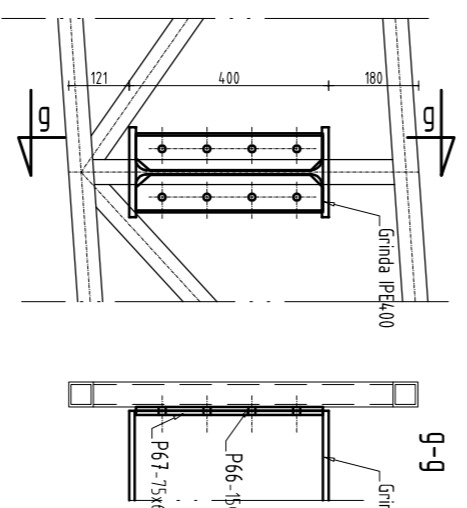
Detaliu prindere colt alic ax 4-A, ax 4-D



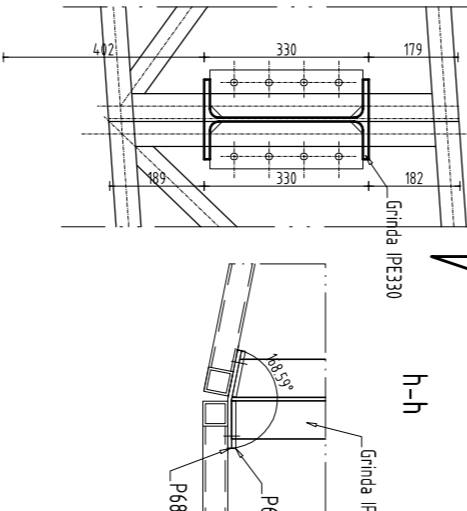
Detaliu prindere colt alic Ax A-4, Ax C-4



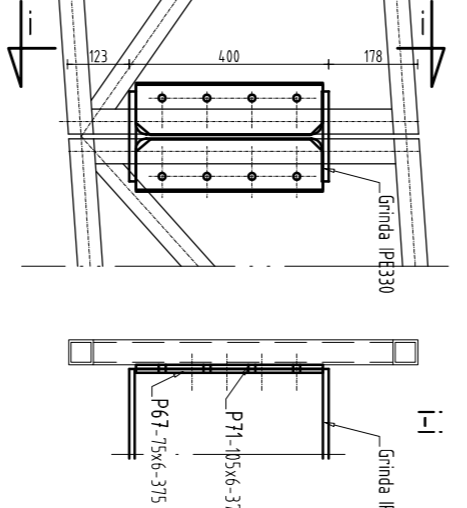
Detaliu prindere colt alic Ax A-2, Ax C-2



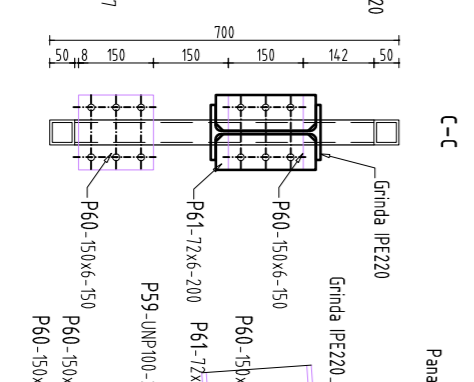
Ureanu prindere colt alic Ax A-1, Ax C-1



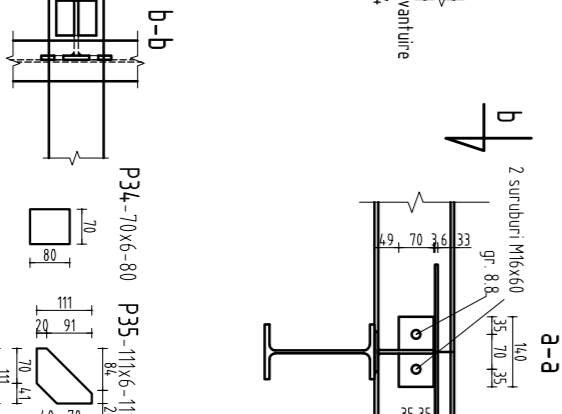
Detaliu prindere colt alic Ax A-3, Ax C-3



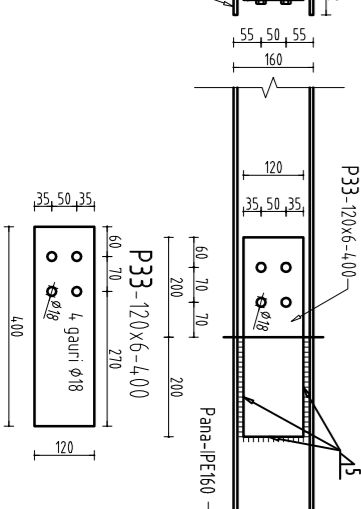
Detaliu prindere alic Ax 1, Ax 4



DETALII PRINDERE PANE DE FERBE



DETALII IMBARNARE DE CONTINUITATE PANE



P99-1P50x4-883	28	834	22
P98-1P50x4-883	22	834	28
P97-1P50x4-883	15	834	41
P96-1P50x4-883	15	834	41
P95-1P50x4-812	22	764	29
P94-1P50x4-812	29	764	22
P93-1P50x4-855	24	805	26
P92-1P50x4-855	24	805	26
P91-1P50x4-907	16	855	17
P90-1P50x4-750	16	855	17
P89-1P50x4-914	38	696	38
P88-1P50x4-914	38	696	38
P87-1P50x4-914	16	750	16
P86-1P50x4-854	15	709	17
P85-1P50x4-854	15	709	17
P84-1P50x4-861	17	762	17
P83-1P50x4-917	22	834	6
P82-1P50x4-917	22	834	6
P81-1P50x4-917	28	793	41
P80-1P50x4-600	28	793	41
P79-1P50x4-907	17	917	17
P78-1P50x4-919	35	899	15
P77-1P50x4-919	35	899	15
P76-1P50x4-895	15	949	35
P75-1P50x4-895	25	842	28
P74-1P50x4-968	28	842	25
P73-1P50x4-968	28	842	25
P72-1P50x4-865	20	820	28
P71-1P50x4-865	20	820	28
P70-1P50x4-977	23	875	31
P69-1P50x4-977	31	875	23
P68-1P50x4-968	14	917	14
P67-1P50x4-968	14	917	14
P66-1P50x4-1035	17	968	17
P65-1P50x4-1035	17	968	17
P64-1P50x4-918	41	918	41
P63-1P50x4-918	41	918	41
P62-1P50x4-905	19	1035	17
P61-1P50x4-905	19	1035	17
P60-1P50x4-990	37	939	19
P59-1P50x4-990	37	939	19
P58-1P50x4-948	12	916	35
P57-1P50x4-948	12	916	35
P56-1P50x4-907	31	858	17
P55-1P50x4-907	31	858	17
P54-1P50x4-914	17	907	17
P53-1P50x4-914	17	907	17
P52-1P50x4-914	17	907	17
P51-1P50x4-914	17	907	17
P50-1P50x4-854	32	866	32
P49-1P50x4-854	32	866	32
P48-1P50x4-854	17	916	17
P47-1P50x4-854	17	916	17
P46-1P50x4-854	20	808	20
P45-1P50x4-854	20	808	20
P44-1P50x4-861	17	762	17
P43-1P50x4-861	17	762	17
P42-1P50x4-917	22	834	22
P41-1P50x4-917	22	834	22
P40-1P50x4-917	22	834	22
P39-1P50x4-917	22	834	22
P38-1P50x4-917	22	834	22
P37-1P50x4-917	22	834	22
P36-1P50x4-917	22	834	22
P35-1P50x4-917	22	834	22
P34-1P50x4-917	22	834	22
P33-1P50x4-917	22	834	22
P32-1P50x4-917	22	834	22
P31-1P50x4-917	22	834	22
P30-1P50x4-917	22	834	22
P29-1P50x4-917	22	834	22
P28-1P50x4-917	22	834	22
P27-1P50x4-917	22	834	22
P26-1P50x4-917	22	834	22
P25-1P50x4-917	22	834	22
P24-1P50x4-917	22	834	22
P23-1P50x4-917	22	834	22
P22-1P50x4-917	22	834	22
P21-1P50x4-917	22	834	22
P20-1P50x4-917	22	834	22
P19-1P50x4-917	22	834	22
P18-1P50x4-917	22	834	22
P17-1P50x4-917	22	834	22
P16-1P50x4-917	22	834	22
P15-1P50x4-917	22	834	22
P14-1P50x4-917	22	834	22
P13-1P50x4-917	22	834	22
P12-1P50x4-917	22	834	22
P11-1P50x4-917	22	834	22
P10-1P50x4-917	22	834	22
P9-1P50x4-917	22	834	22
P8-1P50x4-917	22	834	22
P7-1P50x4-917	22	834	22
P6-1P50x4-917	22	834	22
P5-1P50x4-917	22	834	22
P4-1P50x4-917	22	834	22
P3-1P50x4-917	22	834	22
P2-1P50x4-917	22	834	22
P1-1P50x4-917	22	834	22

PROIECTANT GENERAL	ING. C. SANDU	SC NAVRON BAC SRL	PROIECT PT-DE
DESEINAT	ING. D. ANDREI		
PROIECTAT	ING. D. ANDREI		
SPECIALITATEA: RESISTENTA			
BENEFICIAR	SC NAVRON BAC SRL		
PROIECTANT GENERAL	ING. C. SANDU	SC NAVRON BAC SRL	PROIECT PT-DE
DESEINAT	ING. D. ANDREI		
PROIECTAT	ING. D. ANDREI		
SPECIALITATEA: RESISTENTA			
APROBAREA PUNCTULUI INTERNATIONAL DE TRECERE A FRONTIEREI DE STATI ROMANO-UCRAINESE PENTRU PASAGERI SI MARFA IN REGIM DE BAC INTR-IE LOCALITATEA ISACETA (ROMANIA SI CRINAUA (UCRAINA)			
CUI. NO. 26385541. O.N.R.C. I.A.O/2.0/2010			
STRADA SIBERIANA NR. 36. ADR. CA. 1. RP. 23. SECTOR 2 BUCURESTI ROMANIA			
email: of@navron.ro			
SC NAVRON BAC SRL			
OBIECTUL DE PROIECTARE: COPERTINA PUNCT DE CONTROL STRUCTURALA A TIC DETALIUL PRINDERE			
SCARA	1:25, 1:15		
CNIB93-Ph-De-REZ-08/2-06			
DATA	03.2013		
BRASOV			